



Properties

- Ø12 mm housing
- 4 mm, non-flush mountable
- DC, 3-wire switching output
- Cable and connector versions

Technical Data

For detailed data and product description refer to the data sheets at [www.pepperl-fuchs.com](http://www.pepperl-fuchs.com)

General Data

Rated operating distance	4 mm
Installation	non-flush
Type of voltage	DC
Operating voltage	10 ... 60 V
No-load supply current	≤ 15 mA
Reverse polarity protection	✓
Switching frequency	0 ... 2000 Hz
Operating current	0 ... 200 mA
Short-circuit protection	pulsing
Indication of the switching state	LED, yellow
Ambient temperature	-25 ... 70 °C (-13 ... 158 °F)
Housing material	Stainless steel 1.4305 / AISI 303
Protection degree	IP67

Model Number

			NJ4-12GM40-E	NJ4-12GM40-E1	NJ4-12GM40-E2	NJ4-12GM40-E3	NJ4-12GM40-E-V1	NJ4-12GM40-E2-V1	NJ4-12GM40-E3-V1
Switching element function	NPN	NO	●				●		
	NPN	NC		●					
	PNP	NO			●			●	
	PNP	NC				●			●
Connection type	Device connector M12 x 1 , 4-pin			●	●	●	●	●	●
	cable PUR , 2 m		●	●	●	●			

Approvals and Certificates

UL approval	cULus Listed, General Purpose	●	●	●	●	●	●	●	●
CSA approval	cCSAus Listed, General Purpose	●	●	●	●	●	●	●	●
CCC approval	Certified by China Compulsory Certification (CCC)	●	●	●	●	●	●	●	●

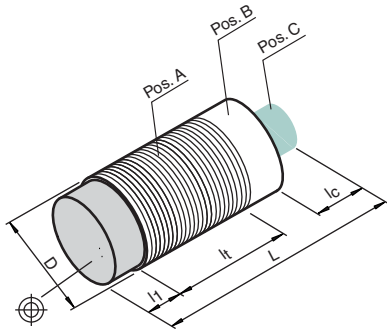
Dimensions

Length L [mm]		40	50
Diameter D [mm]			12
Thread length l <sub>t</sub> [mm]		35	45
Cap length l <sub>1</sub> [mm]			5
Connector area l <sub>c</sub> [mm]			0
LED position			Pos. A

Accessories

This and more accessories can be found in chapter 10  
See pages from 972 ... for cordsets See pages 1068 ... for mounting aids

- BF 12** Mounting flange, 12 mm
- V1-G-BK** 4-pin, M12 female field-attachable connector
- V1-W-BK** 4-pin, M12 female field-attachable connector
- V1-G-2M-PUR** Cable socket, M12, 4-pin, PUR cable
- V1-W-2M-PUR** Cable socket, M12, 4-pin, PUR cable



Electrical Connection

**NJ4-12GM40-E**

**NJ4-12GM40-E1**

**NJ4-12GM40-E2**

**NJ4-12GM40-E3**

**NJ4-12GM40-E-V1**

**NJ4-12GM40-E2-V1**

**NJ4-12GM40-E3-V1**

Wire colors in accordance with EN 60947-5-2

1	BN	(brown)
2	WH	(white)
3	BU	(blue)
4	BK	(black)